

Double HVAC

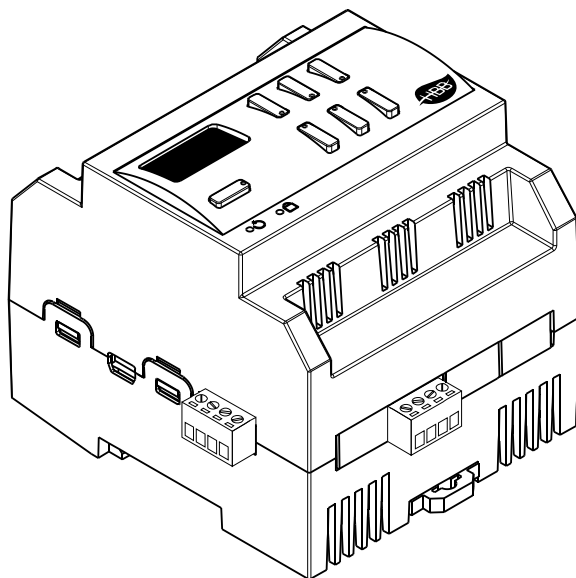
Description

HBB HVAC (Heating, Ventilation and Air Conditioning) is a fan coil controller module that can control fans in low, medium and high speeds. Each channel can control 1 fan by buttons, BUS commands and independent NTC.

NTC or thermistor can measure the temperature and control fans based on set points.

Features

- 2 fan coil controller channels
- 3 speed keys per channel
- NTC input
- H-BUS compatible
- DIN rail installation

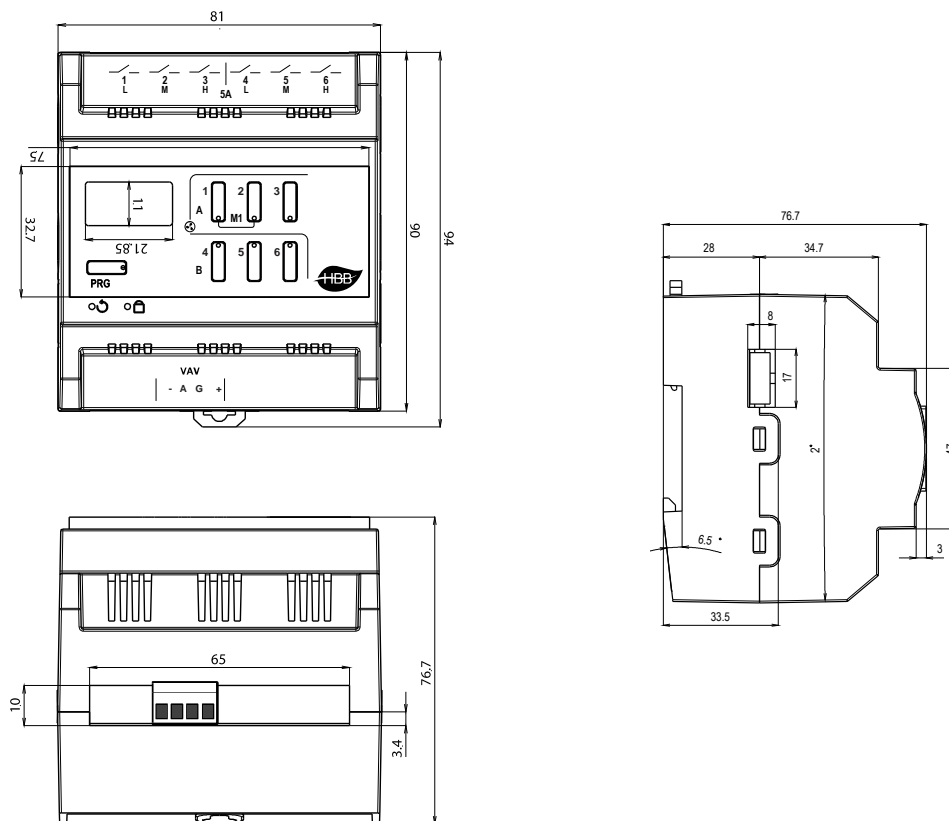


Double HVAC

Specifications

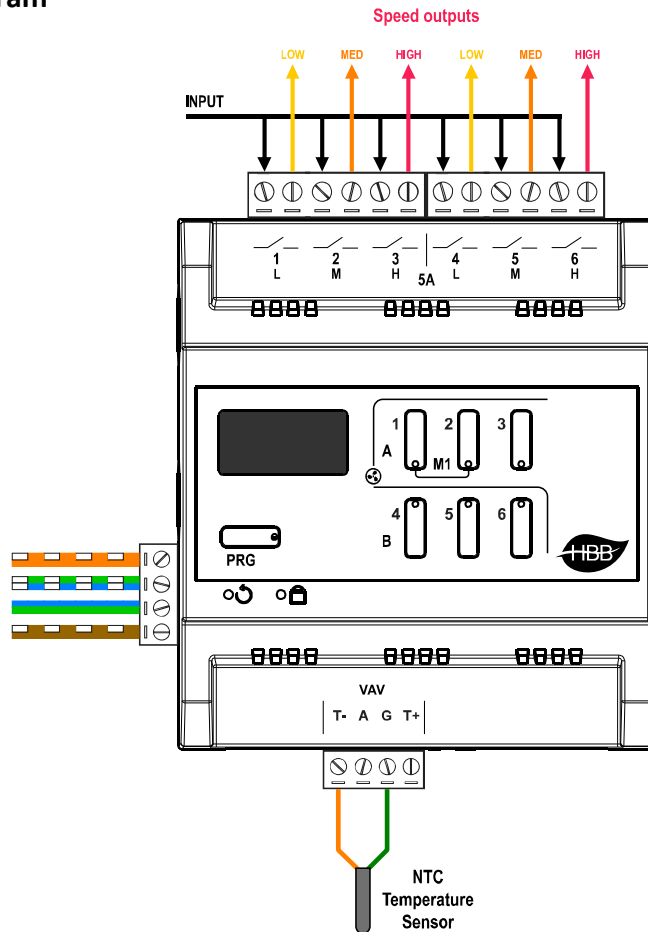
- Operating voltage: 18 ~ 24.5 V DC
- Maximum operating current: 2 A
- Normal operating current: 300 mA
- Outputs: 2 HVAC channels / 3 motor speeds
- Input: NTC analog input
- Communication: H-BUS
- Installation: 35 mm DIN-Rail Mount Ready, wall mount ready (8P)
- Weight: 77 g
- Size: W 90 x L 81 x H 76.7 (mm)

Dimensions (mm)



Double HVAC

Electrical diagram



Communication

H.BUS GND		orange
H.BUS GND		w/orange
H.BUS D+		blue
H.BUS D-		w/blue
H.BUS D+		green
H.BUS D-		w/green
H.BUS +24V		brown
H.BUS +24V		w/brown

