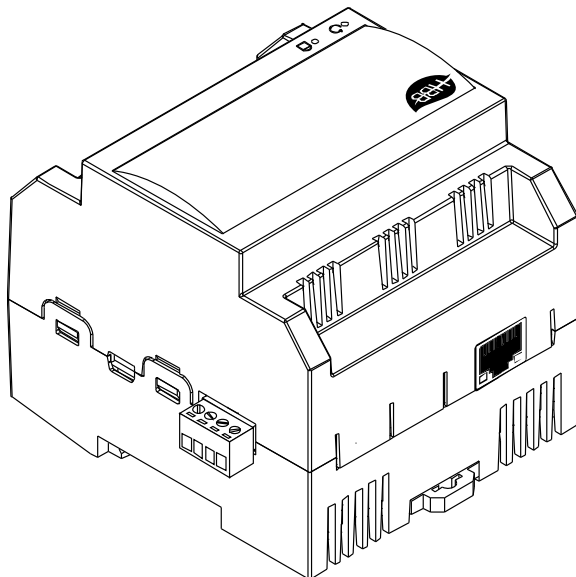


Description

HBB RSIP module is the connection gate through the H-BUS network. The main character of IoT in H-BUS is RSIP. Ability to connect in 3 different mode is the most specific feature of this device. Ethernet, access point and client modes help users to have access to H-BUS in any situation.

Features

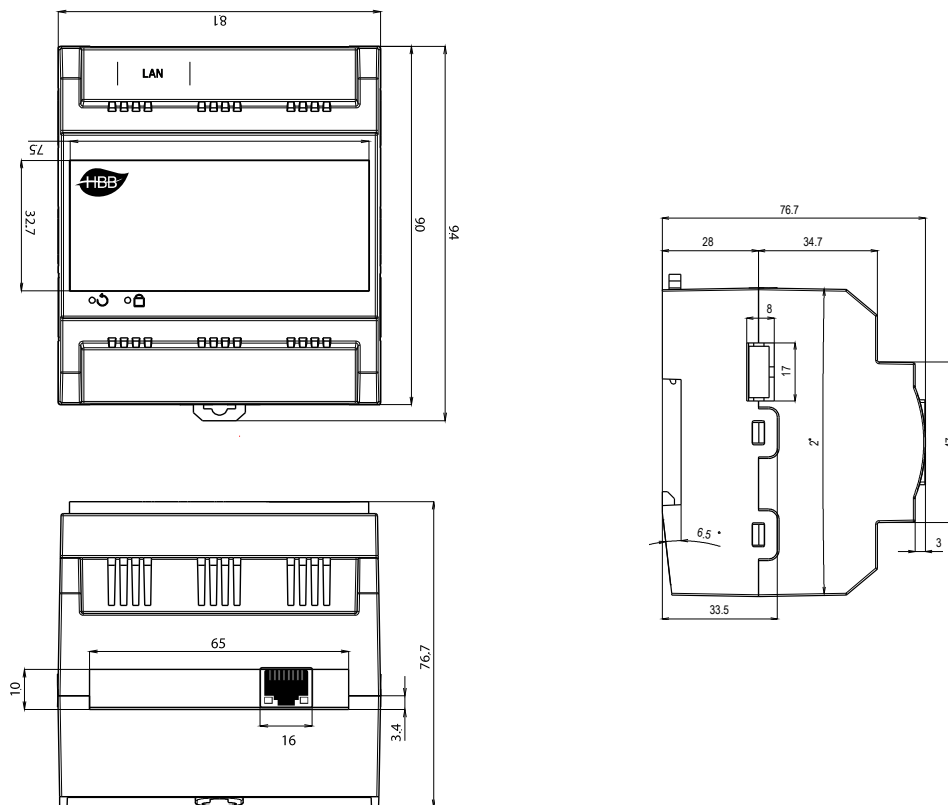
- 3 connection modes
 - - Ethernet port
 - - Wireless access point mode
 - - Wireless client mode
- Configurations page
- DIN Rail installation
- H-BUS compatible



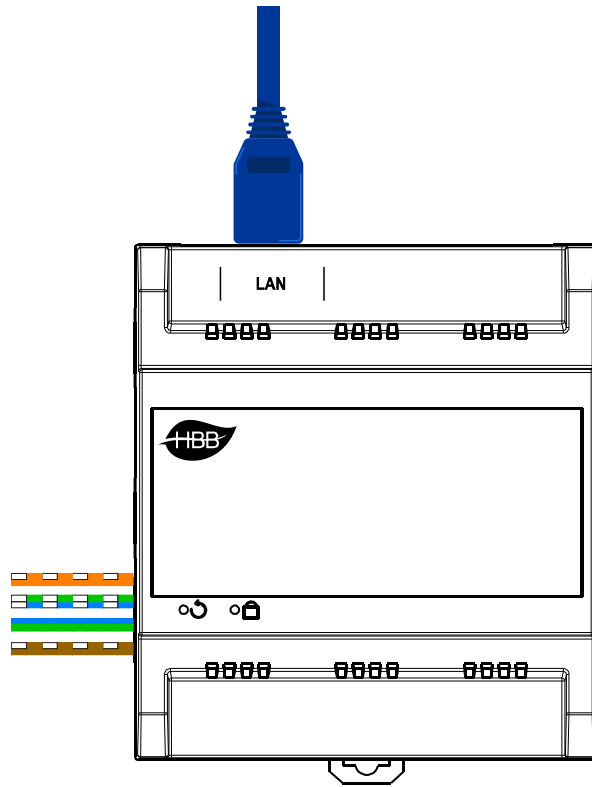
Specifications

- Operating voltage: 10 ~ 24.5 V DC
- Maximum operating current: 200 mA
- Normal operating current: 40 mA
- WLAN: 802.11n driver
- Frequency: 2.4 GHz
- Access Point Maximum user: 10
- LAN connector: RJ45 (Ethernet)
- Installation: 35 mm DIN-Rail Mount Ready, wall mount ready (8P)
- Weight: 77 g
- Size: W 90 x L 81 x H 76.7 (mm)

Dimensions (mm)



Electrical diagram



Communication

H.BUS GND		orange
H.BUS GND		w/orange
H.BUS D+		blue
H.BUS D-		w/blue
H.BUS D+		green
H.BUS D-		w/green
H.BUS +24V		brown
H.BUS +24V		w/brown

