

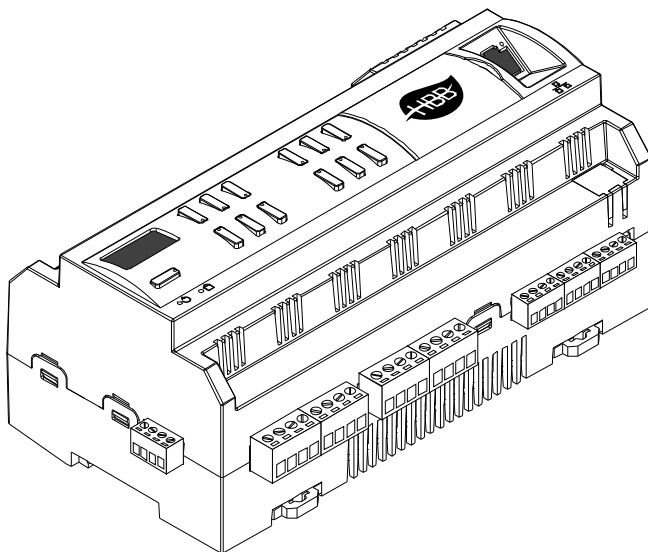
# 20 Channels 8Z RSIP Relay

## Description

HBB smart relay is BUS protocol enabled and it has the capability to control lighting, fan coil, curtain, socket and other smart devices. The relays include powerful CPU and 16A relays. Moreover, the great features of being multifunctional, 8 binary input channels and communication module for smartphones/tables and reduced size of cabin for smart home system installation.

## Features

- Multifunctional control (lighting, fan coil and curtain) together in each relay
- 6 motors / 4 fan coils / 20 relay outputs
- 8 binary input channel
- Internal communication module in order for smart phones/tablets
- Buttons for manual control
- OLED to show working and network status
- Powerful CPU and 16A OMRON relays
- Including DIY programming technology
- Ethernet port
- Wireless access point mode
- Wireless client mode

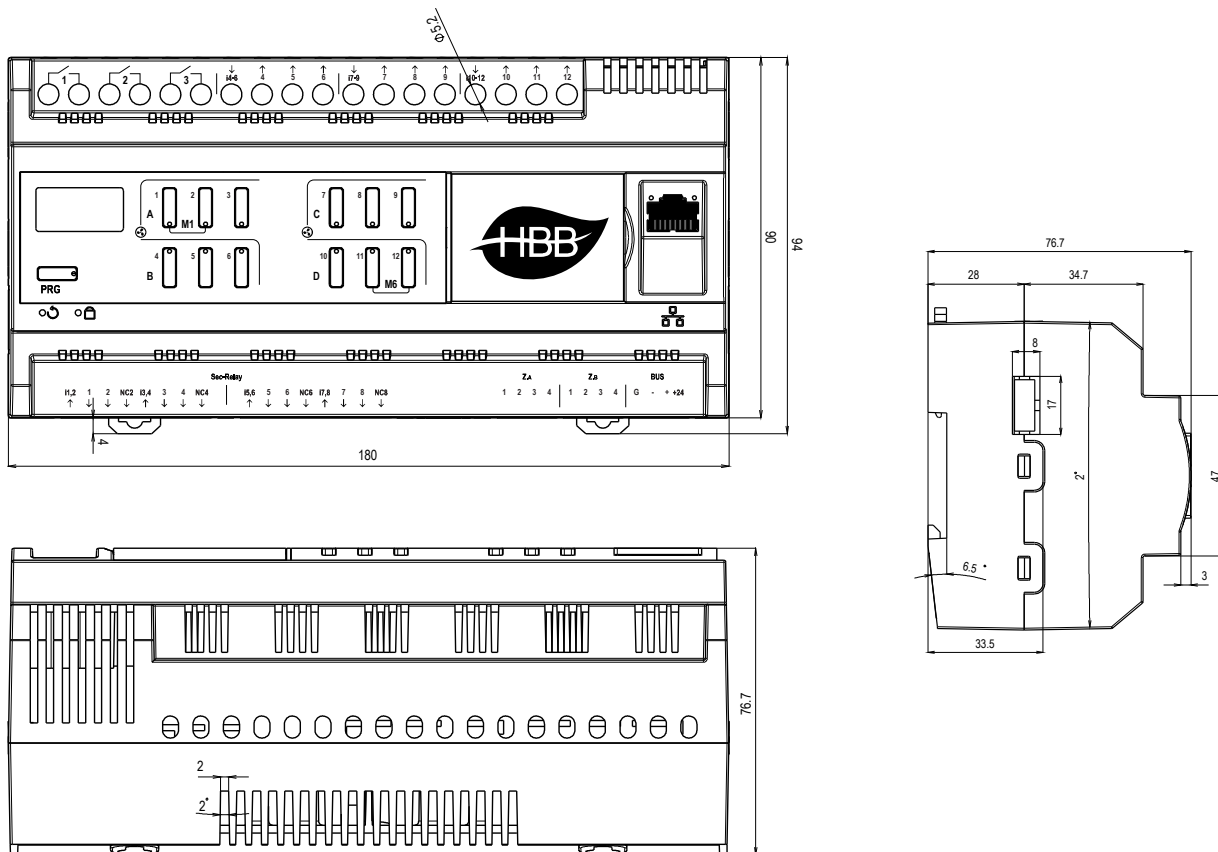


# 20 Channels 8Z RSIP Relay

## Specifications

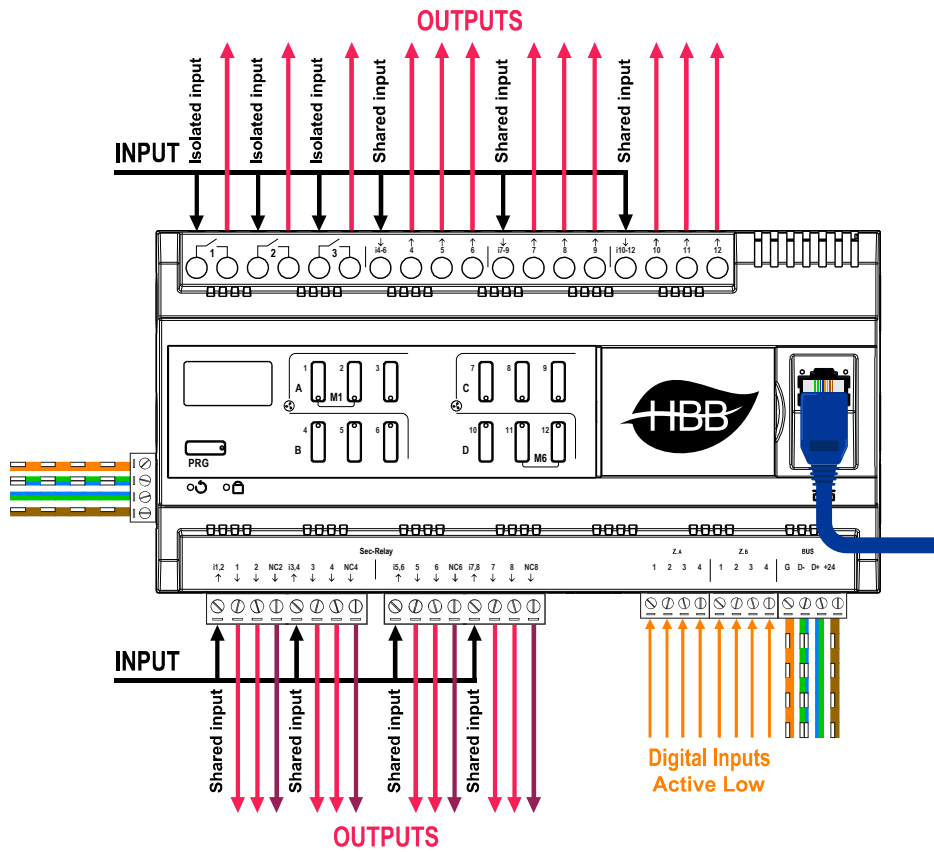
- Operating voltage: 21 ~ 24.5V DC
- Maximum current: 450 mA / maximum continues current: 250 mA
- Outputs: 3 x Isolated & Separated Switched Pass through outputs 16A per channel, 3 x shared inputs to 9 output channels 16A per channel, 4 x shared inputs to 8 output channels 16A per channel
- PRG Button: Debug / Broadcast detection / Factory reset / Change relay control page
- Digital inputs (8z): Active low (GND input)
- Operating Environment: 0° to 45°C ambient temperature 10% to 93% RH
- Installation: 35 mm DIN-Rail Mount Ready, wall mount ready (8P)
- Weight: 200 g
- Size: W 90 x L 180 x H 76.7 (mm)

## Dimensions (mm)



# 20 Channels 8Z RSIP Relay

## Electrical diagram



## Communication

H.BUS GND		orange
H.BUS GND		w/orange
H.BUS D+		blue
H.BUS D-		w/blue
H.BUS D+		green
H.BUS D-		w/green
H.BUS +24V		brown
H.BUS +24V		w/brown

