

H-Audio Pro MNV

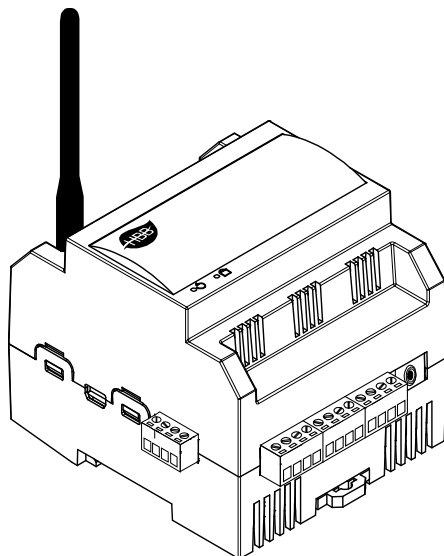
Description

Playing music in home brings happiness and relaxing. Therefore, HBB produced a unique music system with universal BUS protocol based on global needs, which has a logical communication with smart home system.

HBB Music system plays music using different types of communication including TF card , AUX, Internet Radio and Bluetooth. Controlling from android and iOS applications, smart touch panels, smart touch switches, smart sensors, time scheduling, SMS and etc. It also has the ability to play alarm sounds like fire alarm or security breach alarm.

Features

- SD card
- AUX Input jack
- Bluetooth Low Energy (BLE) V4.2 audio streaming
- Internet Radio
- 4 zone volume control
- 50 Watts Amplified stereo outputs
- 1/4W Pre-Amplifier AUX output
- Isolated power supply
- Status indicator lights
- Supports mp3, wma, wav, ogg, acc and flac
- Control panel on HBB application
- Ethernet and Wi-Fi communication (RSIP)

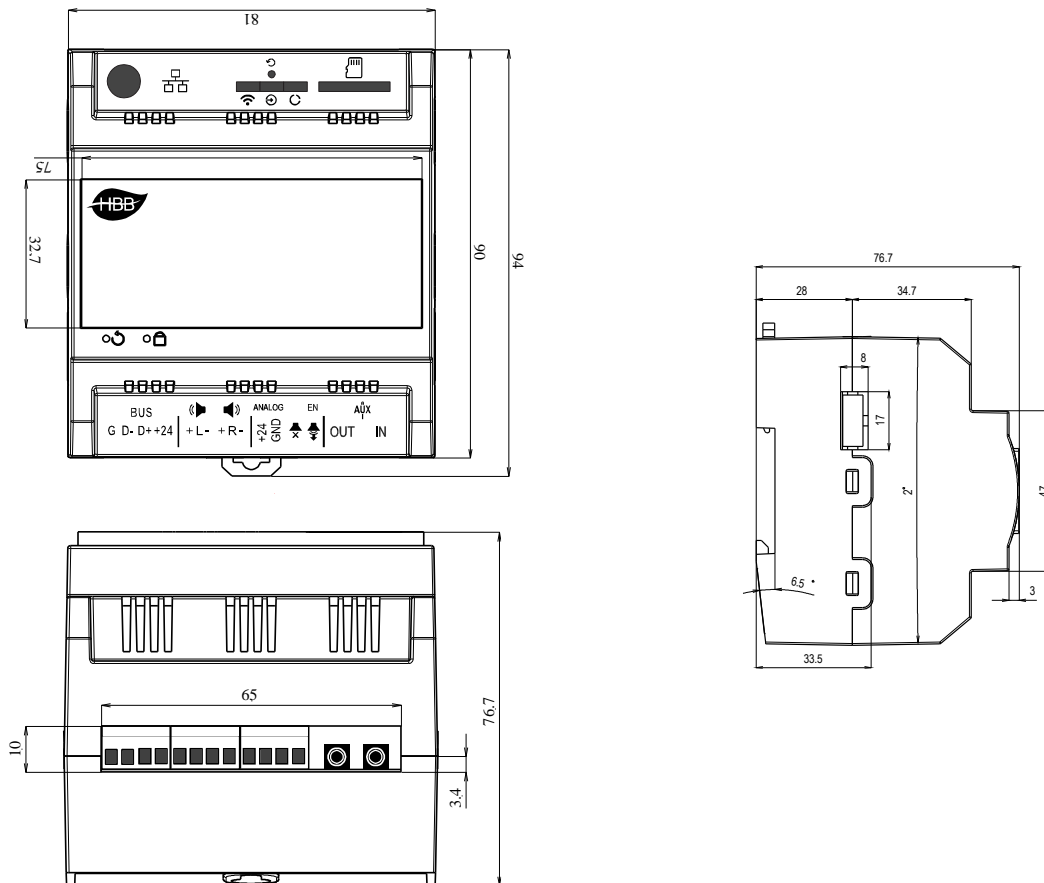


H-Audio Pro MNV

Specifications

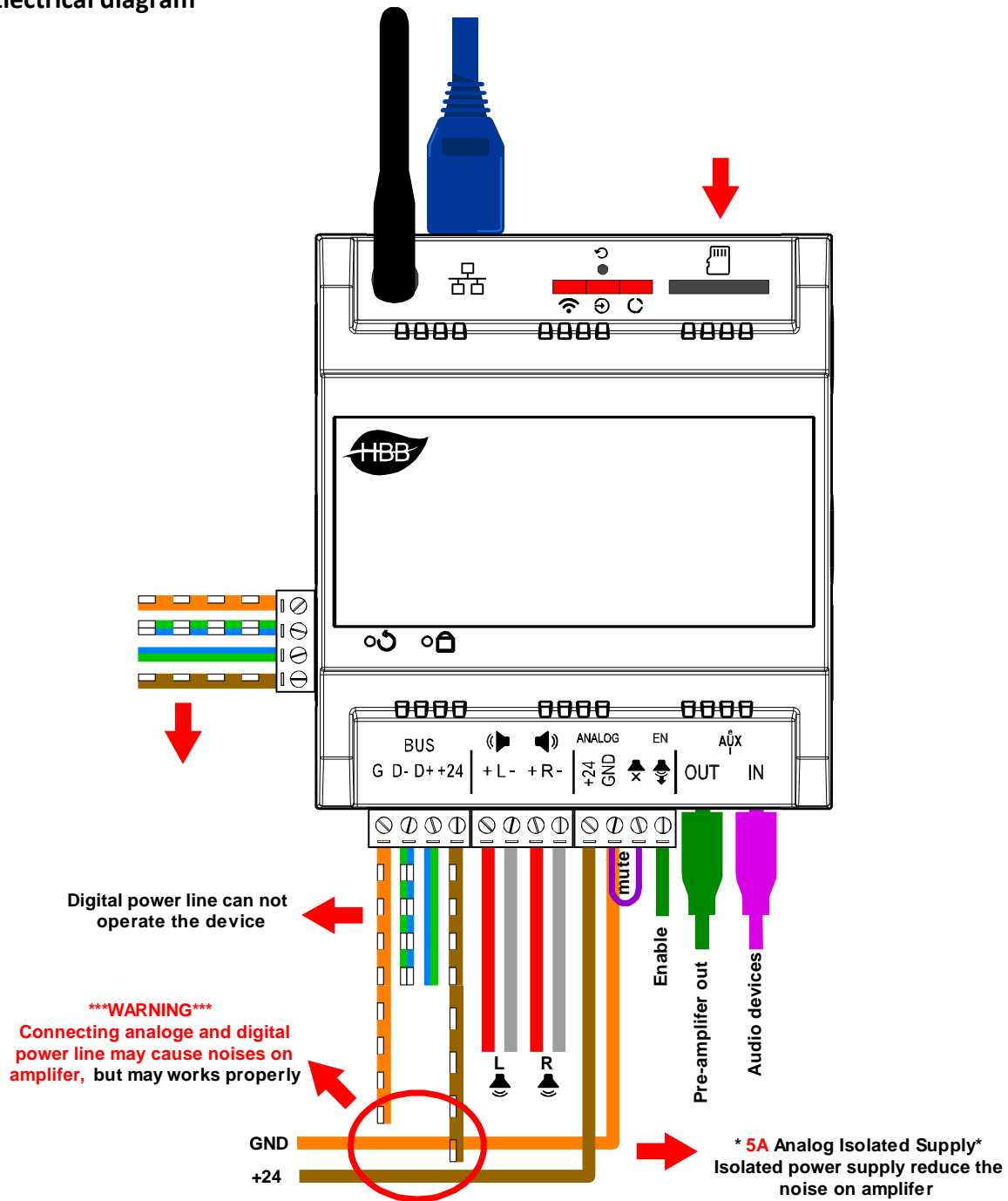
- Operating voltage: 24V DC \pm 1%
- Maximum operating current: 4.5 A
- Normal operating current: 3 A
- Outputs: 50 Watts Amplified stereo + 1/4 watts Pre-Amplifier output
- Inputs: AUX jacks, TF card
- Communications: Ethernet LAN, Wi-Fi 2.4 GHz, H-BUS , (BLE) V4.2
- Operating Environment: 0° to 45°C ambient temperature 10% to 93% RH
- Installation: 35 mm DIN-Rail Mount Ready, wall mount ready (8P)
- Weight: 310 g
- Size: W 90 x L 180 x H 76.7 (mm)

Dimensions (mm)



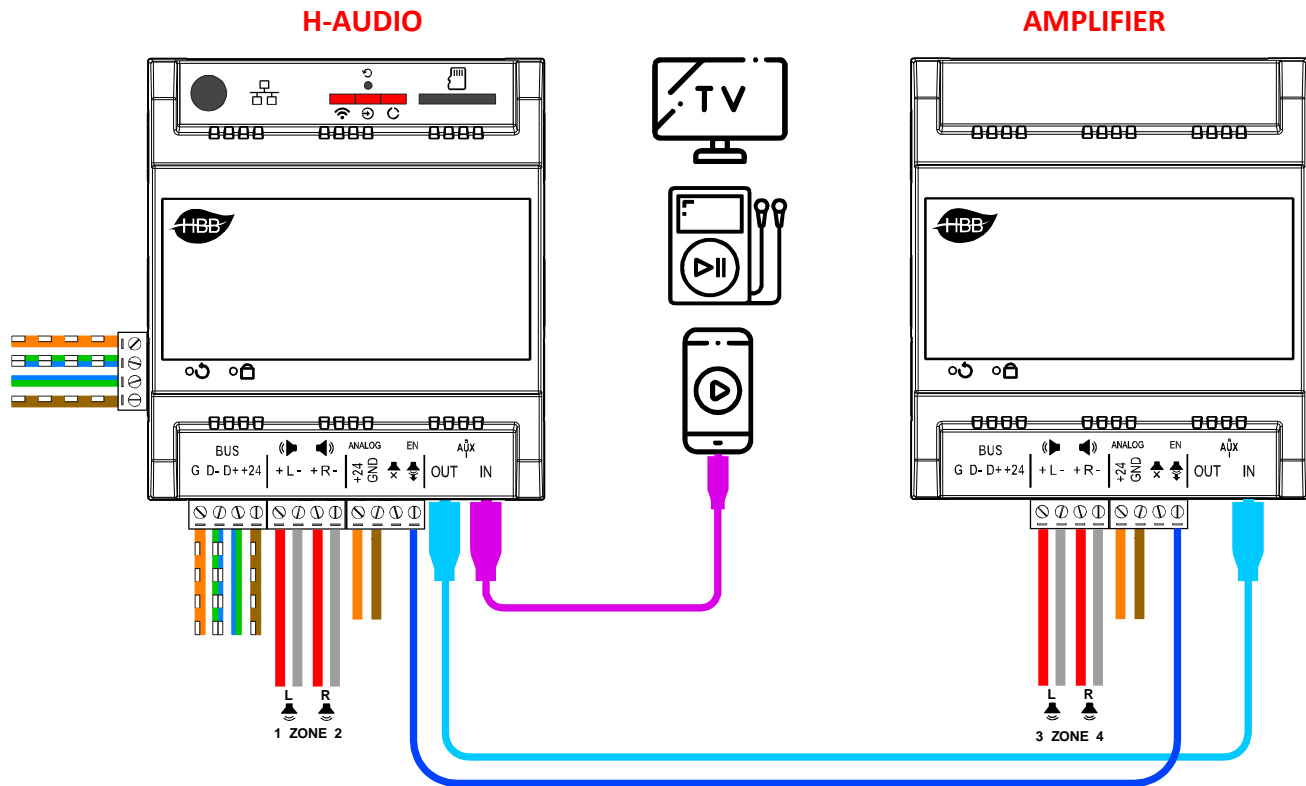
H-Audio Pro MNV

Electrical diagram



***** Do not connect more than 1 pair of speakers to the stereo outputs. If you need more speakers you have to add an Amplifier module.**

H-Audio Pro MNV



Communication

H.BUS GND		orange
H.BUS GND		w/orange
H.BUS D+		blue
H.BUS D-		w/blue
H.BUS D+		green
H.BUS D-		w/green
H.BUS +24V		brown
H.BUS +24V		w/brown

