

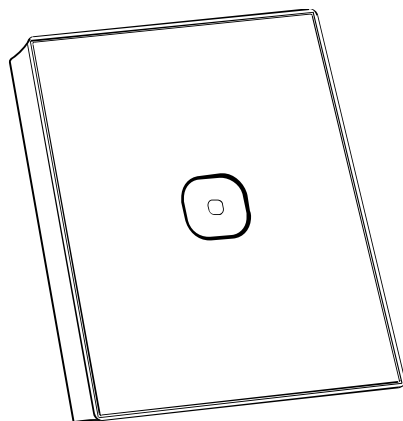
Description

HBB Air Motion is a unique particle of the system that can control an action or a scenario with just a movement of hand. Air Motion can sense your hand movements in 4 main directions. Up, down, right and left. You can define 2 commands for each direction.

Air Motion is so useful for places that you want to control without a physical touch, like medical or healthcare clinics.

Features

- IR Motion Sensor
- Ability to sense 4 direction movements
- H-BUS compatible
- Standard wall mount installation

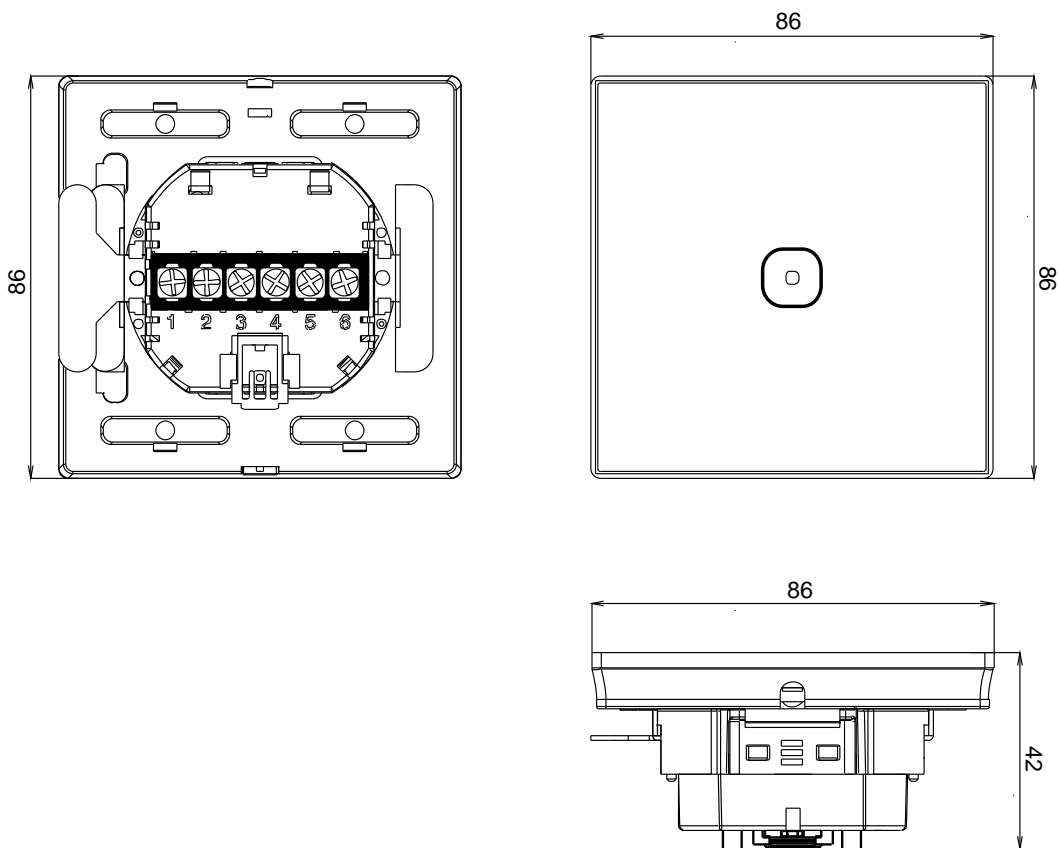


Air Motion

Specifications

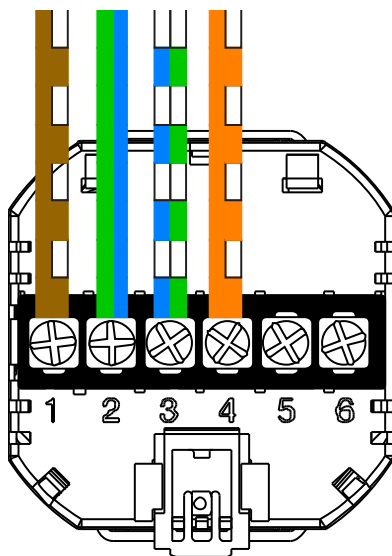
- Operating voltage: 18 ~ 24.5 V DC
- Maximum operating current: 50 mA
- Normal operating current: 20 mA
- Sensor: IR motion sensor
- Communication: H-BUS
- Weight: 50 g
- Size: W 86 x L 86 x H 42 (mm)

Dimensions (mm)



Air Motion

Electrical diagram



Communication

H.BUS GND		orange
H.BUS GND		w/orange
H.BUS D+		blue
H.BUS D-		w/blue
H.BUS D+		green
H.BUS D-		w/green
H.BUS +24V		brown
H.BUS +24V		w/brown

