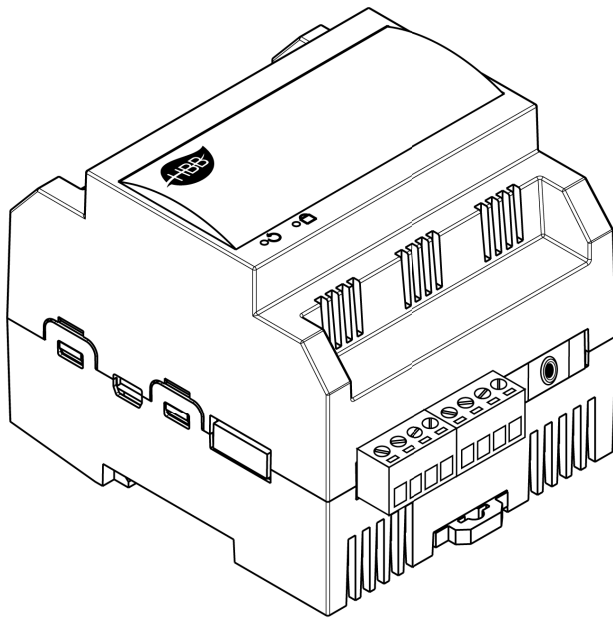


## Description

HBB Amplifier is an extension for H-Audio module that can amplify sounds which comes from the 3W output and Bluetooth input. This module is useful when there is only one Audio player and you want to connect it to different places. By placing this module near speakers you can amplify the output of H-Audio to high quality sounds.

## Features

- Isolated power supply
- 2 x 50 Watts stereo outputs
- AUX input
- DIN rail installation
- (Bluetooth in BLT versions)

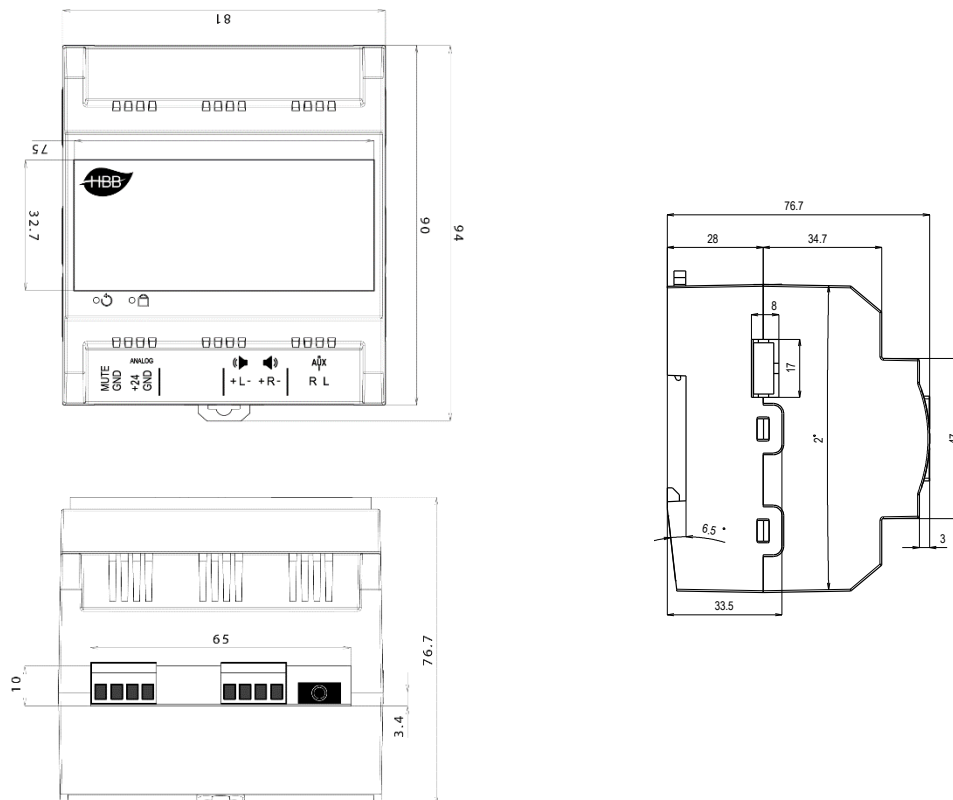


# Amplifier 2021

## Specifications

- Operating voltage: 12 ~ 24.5V DC
- Maximum operating current: 4.5 A
- Normal operating current: 2 A
- Output: Amplified stereo (50 Watts)
- Inputs: AUX 3.5 mm jack
- Communication: Analog
- Operating Environment: 0° to 45°C ambient temperature 10% to 93% RH
- Installation: 35 mm DIN-Rail Mount Ready, wall mount ready (8P)
- Weight: 80 g
- Size: W 90 x L 81 x H 76.7 (mm)
- (Bluetooth Password : 2021) only in BLT versions

## Dimensions (mm)



## Electrical diagram

