

# Amplifier Bluetooth

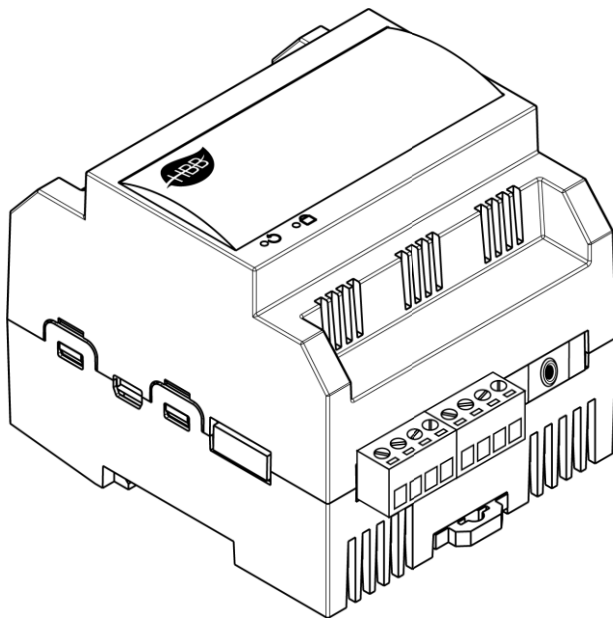
## Description

HBB Amplifier is an extension for H-Audio module that can amplify sounds which comes from the 3W output and Bluetooth input. This module is useful when there is only one Audio player and you want to connect it to different places. By placing this module near speakers you can amplify the output of H-Audio to high quality sounds.

Also the Bluetooth on this device can play audio files independently. Connect your device to the amplifier and enjoy high quality sounds.

## Features

- Isolated power supply
- 2 x 50 Watts stereo outputs
- Bluetooth Low Energy (BLE) V4.2
- AUX input
- DIN rail installation

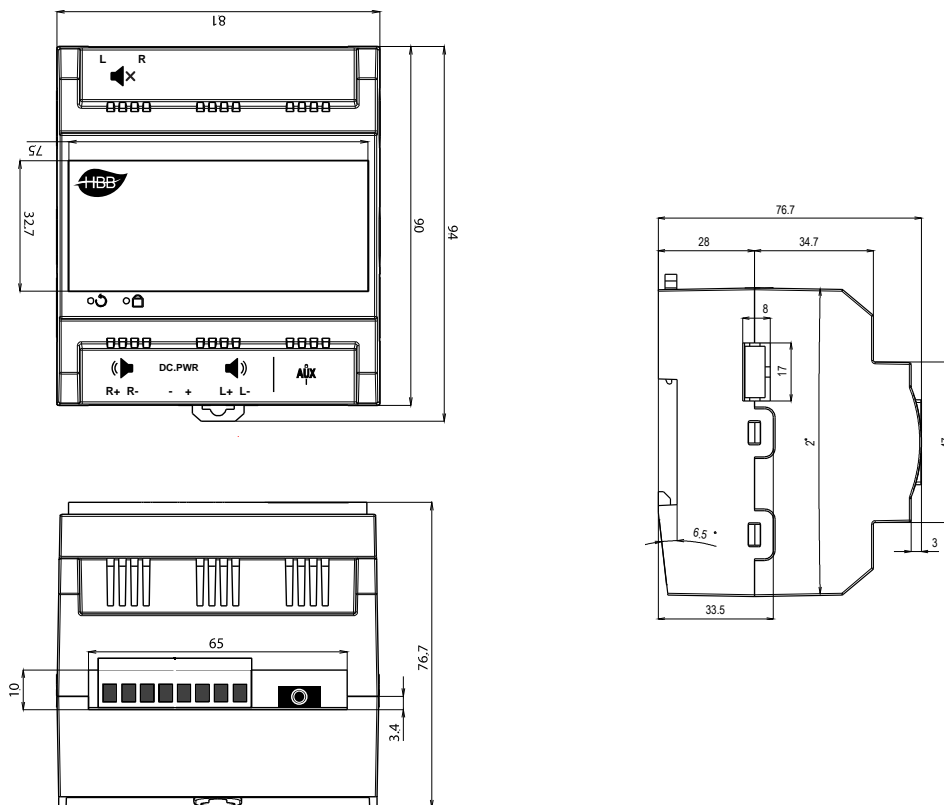


# Amplifier Bluetooth

## Specifications

- Operating voltage: 12 ~ 24.5V DC
- Maximum operating current: 4.5 A
- Normal operating current: 2 A
- Output: Amplified stereo (50 Watts)
- Inputs: AUX 3.5 mm jack
- Communication: Analog
- Operating Environment: 0° to 45°C ambient temperature 10% to 93% RH
- Installation: 35 mm DIN-Rail Mount Ready, wall mount ready (8P)
- Weight: 80 g
- Size: W 90 x L 81 x H 76.7 (mm)

## Dimensions (mm)



# Amplifier Bluetooth

## Electrical diagram

