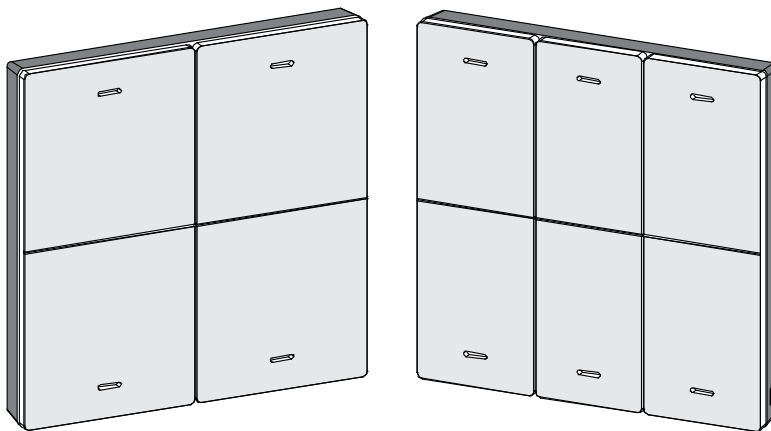


Description

HBB Carpi Switches are the friendly members of the system that can control the utilities with only one simple touch. The perfect capacitive touch buttons can sense every touches from your skin. The LED indicators with different colors can make a smooth and beautiful view on the wall. The compatibility with H-BUS let you to control different lights or scenarios.

Features

- Tactical buttons
- RGB LED indicators
- H-BUS compatible
- Standard wall mount installation
- DIY Button defining

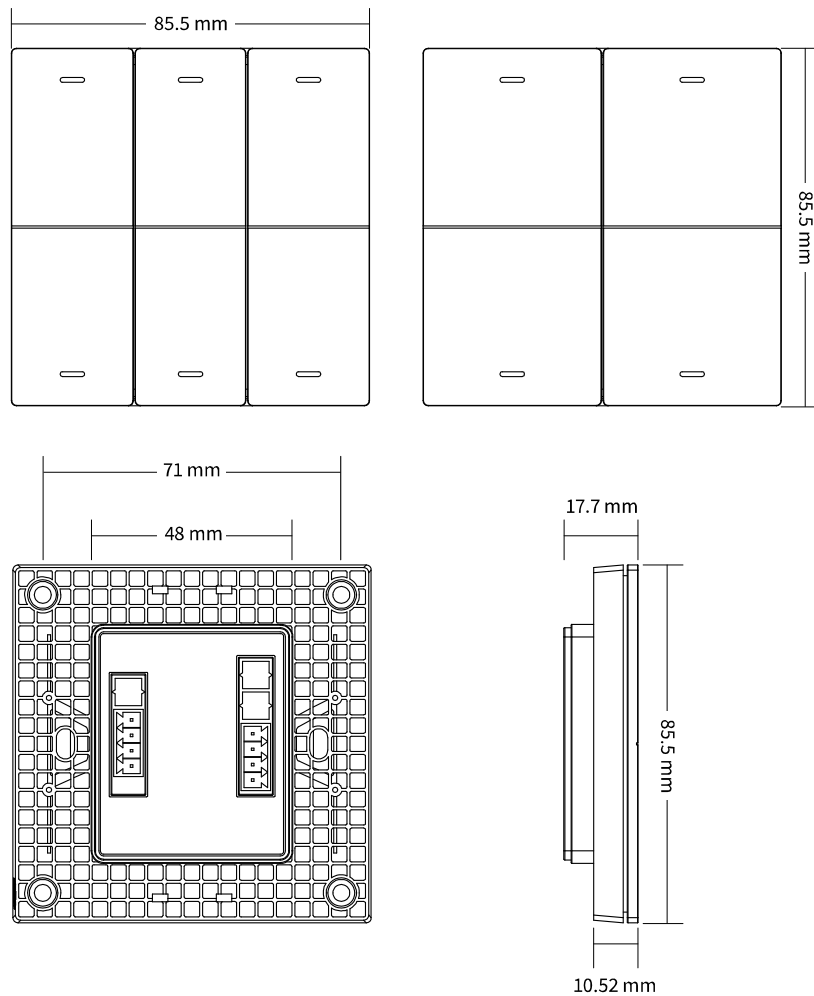


Carpi Switch

Specifications

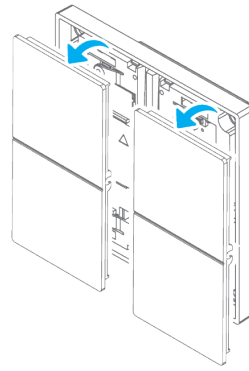
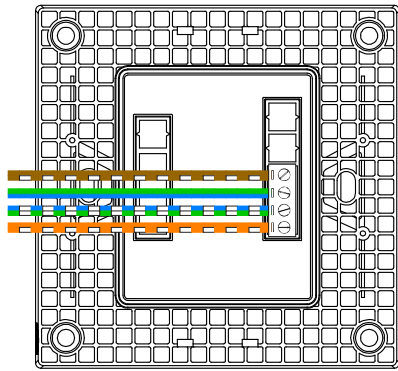
- Operating voltage: 18 ~ 24.5 V DC
- Maximum operating current: 100 mA
- Normal operating current: 50 mA
- Button type: Tactical switch buttons
- Indicators: RGB LEDs
- Communication: H-BUS
- Installation: Wall mount and MK install
- Weight: 50 g
- Size: W 86 x L 86 x H 18.7 (mm)

Dimensions (mm)

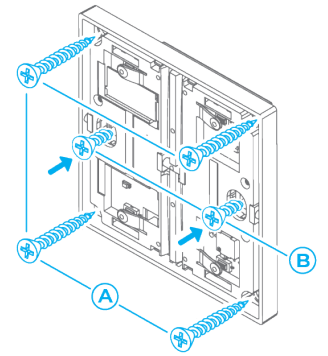


Carpi Switch

Electrical diagram and installation



1



2

*****Caution: Data lines (D+ and D-) may differs in different models. Pay attention to the guide label behind the BUS Coupler.**

Communication

H.BUS GND		orange
H.BUS GND		w/orange
H.BUS D+		blue
H.BUS D-		w/blue
H.BUS D+		green
H.BUS D-		w/green
H.BUS +24V		brown
H.BUS +24V		w/brown

