

20 Channels 8Z HSB

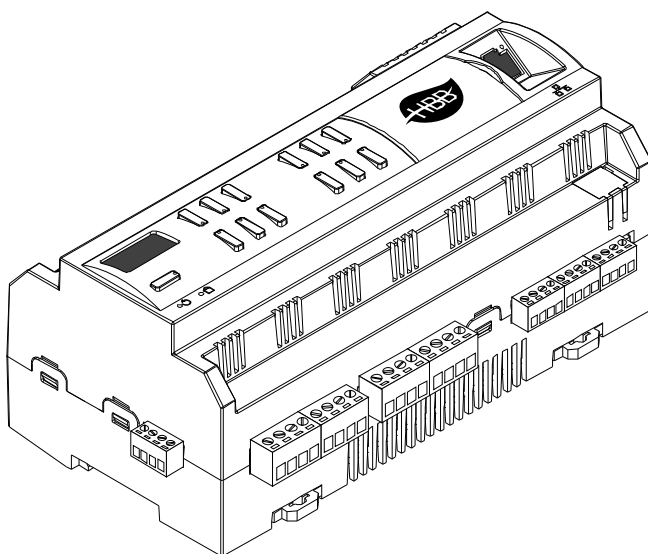
Description

HBB Home Server Base (HSB) is the legendary member of HBB devices. HSB is a single board computer powered by ARM processor. It has an independent RSIP (Ethernet) for controlling other devices.

HSB has the ability to log all the devices on H-BUS network. It has a home page that you can access from anywhere with internet browsers.

Features

- Multifunctional control (lighting, fan coil and curtain) together in each relay
- 6 motors / 4 fan coils / 20 relay outputs
- 8 binary input channels
- Internal communication module in order for smart phones/tablets
- Buttons for manual control
- OLED to show working and network status
- Powerful CPU and 16A OMRON relays
- Including DIY programming technology
- Ethernet connection
- Internet of Things host

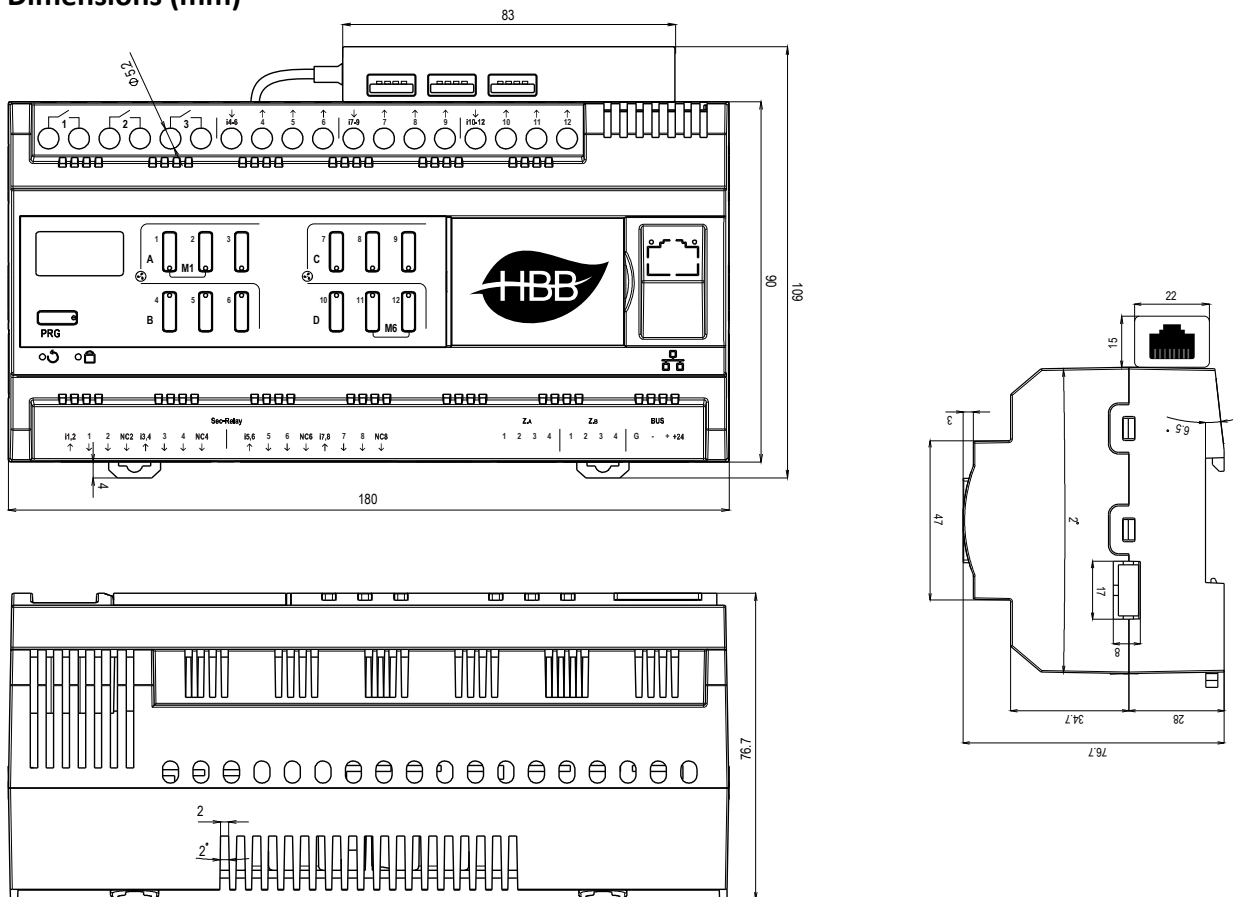


20 Channels 8Z HSB

Specifications

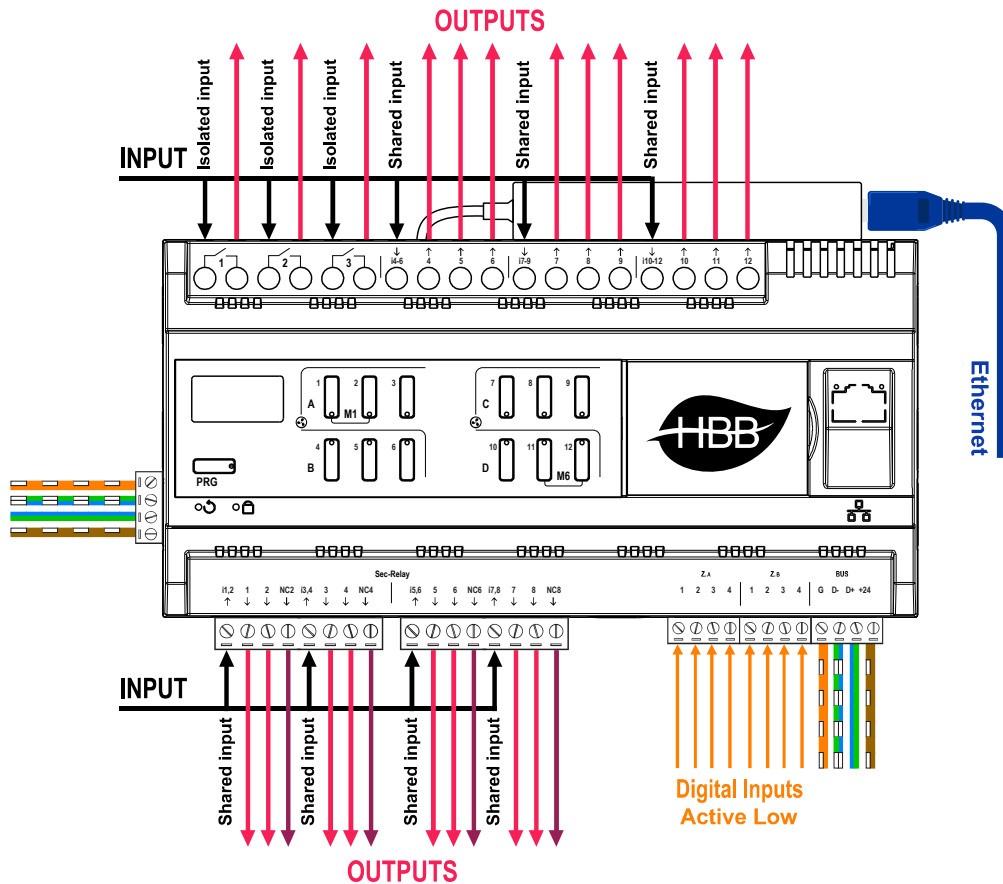
- Operating voltage: 21 ~ 24.5V DC
- Maximum current: 450 mA / maximum continues current: 250 mA
- Outputs: 3 x Isolated & Separated Switched Pass through outputs 16A per channel, 3 x shared inputs to 9 output channels 16A per channel, 4 x shared inputs to 8 output channels 10A per channel
- PRG Button: Debug / Broadcast detection / Factory reset / Change relay control page
- Digital inputs (8z): Active low (GND input)
- Operating Environment: 0° to 45°C ambient temperature 10% to 93% RH
- Installation: 35 mm DIN-Rail Mount Ready, wall mount ready (8P)
- Weight: 200 g
- Size: W 90 x L 180 x H 76.7 (mm)

Dimensions (mm)



20 Channels 8Z HSB

Electrical diagram



Communication

H.BUS GND		orange
H.BUS GND		w/orange
H.BUS D+		blue
H.BUS D-		w/blue
H.BUS D+		green
H.BUS D-		w/green
H.BUS +24V		brown
H.BUS +24V		w/brown

