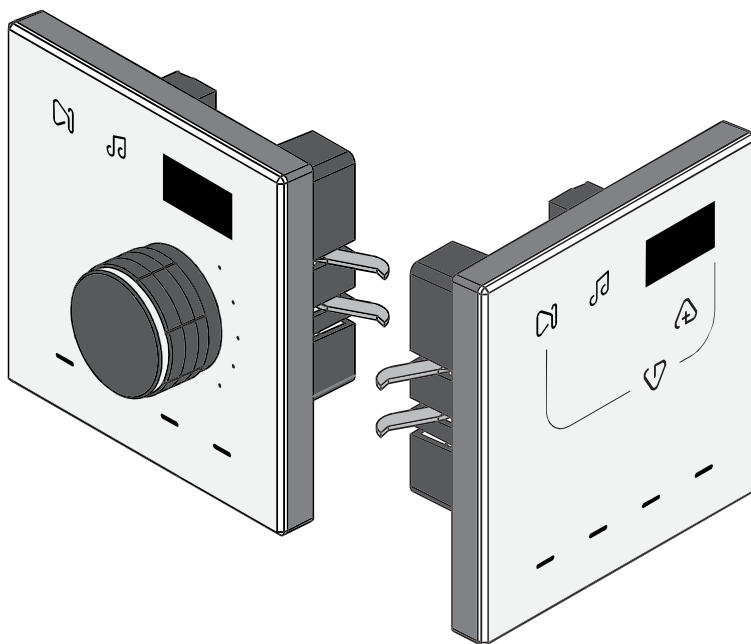


## Description

HBB Audio Panels are the friendly members of the system that can control the utilities with only one simple touch. The perfect capacitive touch buttons can sense every touches from your skin. The LED indicators with two colors can make a smooth and beautiful view on the wall. The compatibility with H-BUS let you to control different lights or scenarios. The Audio version of this panels are able to control H-Audio modules.

## Features

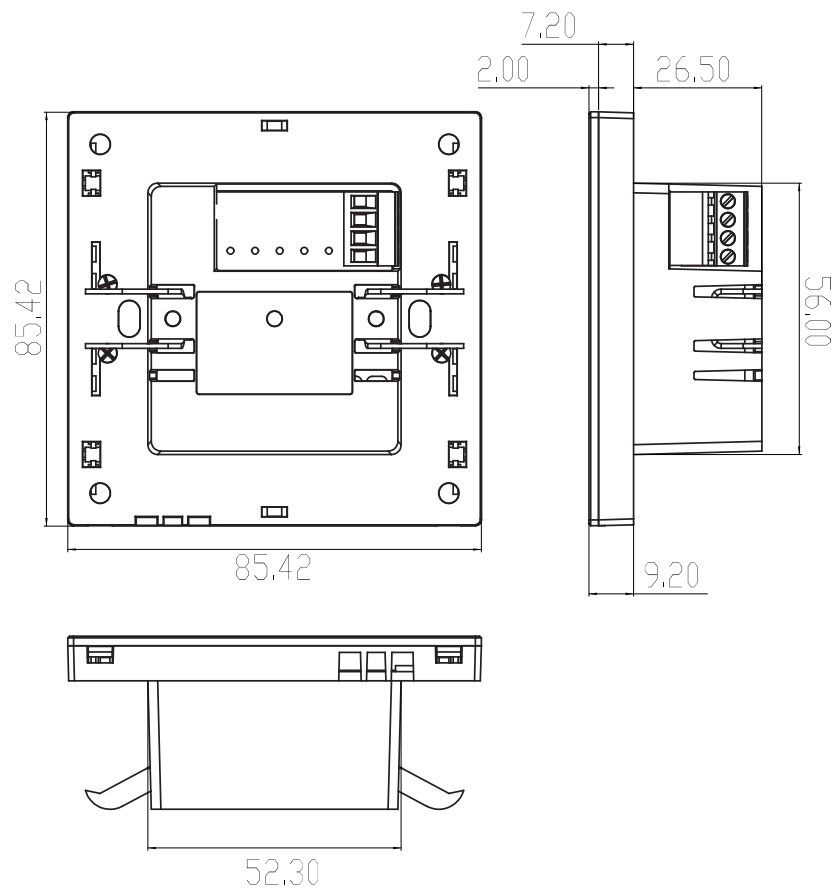
- Capacitive touch buttons
- Auto calibration
- Broadcast detection
- Clean / test mode
- LED indicators
- H-BUS compatible
- 3 Methods of standard wall mount installation
- DIY Button defining
- Rotary gear selector
- LCD display



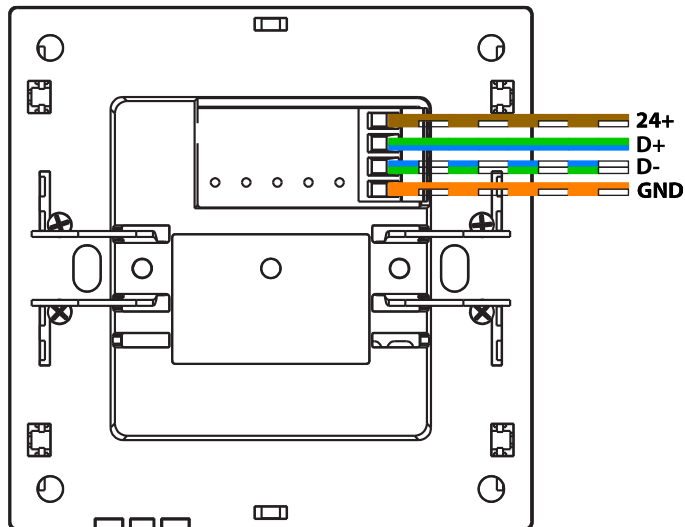
## Specifications

- Operating voltage: 18 ~ 24.5 V DC
- Maximum operating current: 100 mA
- Normal operating current: 50 mA
- Button type: Capacitive touch buttons
- Indicators: 2 Color LEDs
- Communication: H-BUS
- Installation: Wall mount and wall clamps
- Weight: 50 g
- Size: W 84 x L 120 x H 12.6(40.7) (mm)
- Display : 0.96 inch TFT LCD

## Dimensions (mm)











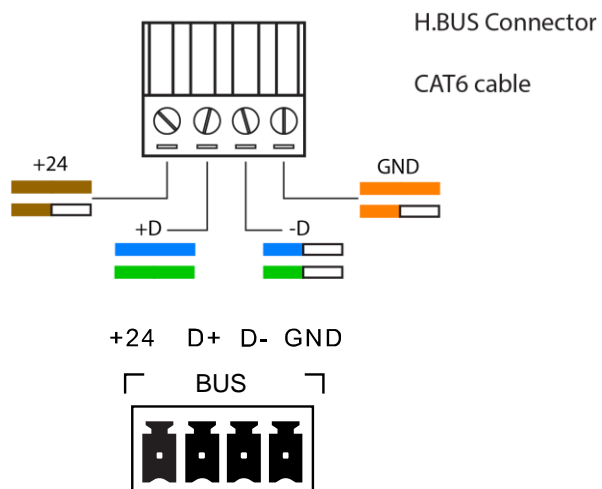
## Electrical diagram



**\*\*\*Caution: Data lines (D+ and D-) may differ in different models. Pay attention to the guide label behind the BUS Coupler.**

## Communication

H.BUS GND		orange
H.BUS GND		w/orange
H.BUS D+		blue
H.BUS D-		w/blue
H.BUS D+		green
H.BUS D-		w/green
H.BUS +24V		brown
H.BUS +24V		w/brown



## Physical Installation

