

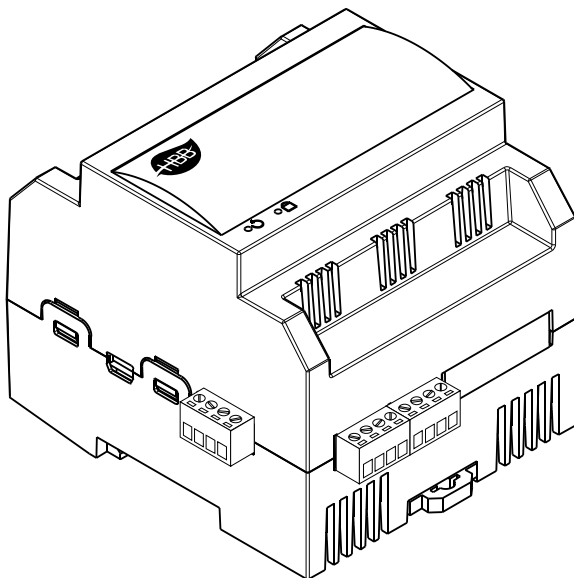
Description

HBB 8Z is an input device with 8 digital inputs that can be set for different scenes. With H-BUS connection inputs can trigger commands in other BUS devices. 8Z has 2 types of activation mode.

8Z can manage different trigger sensors around. Users can connect magnetic door sensors, general PIR sensors or any kind of devices which has dry contacts.

Features

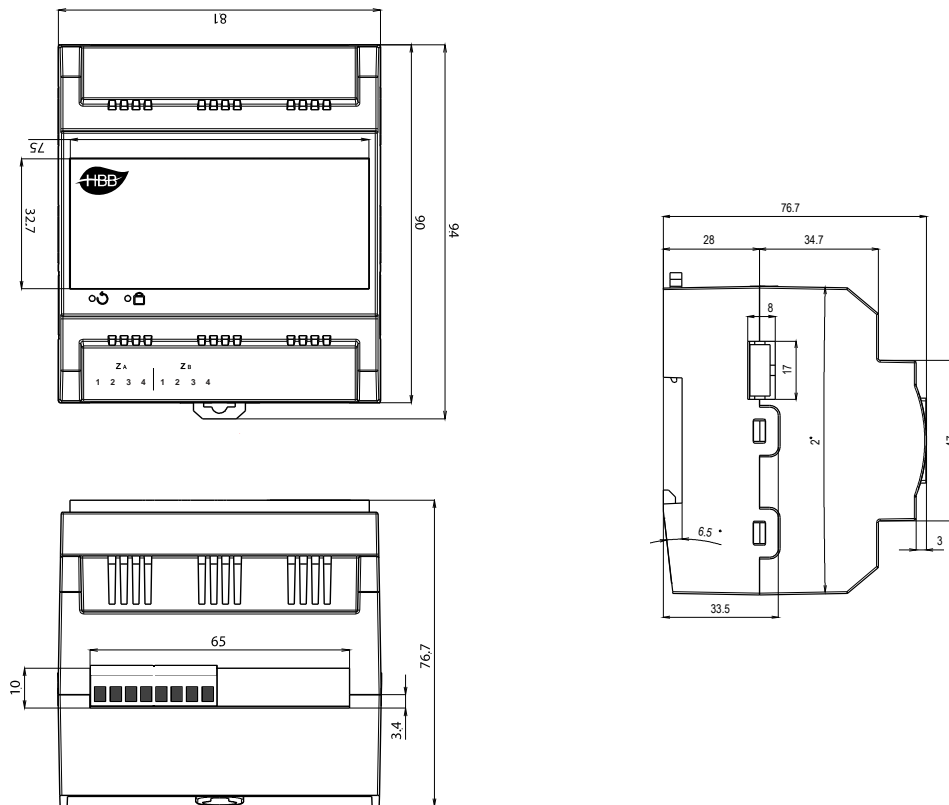
- 4 active low digital inputs (GND trigger)
- 4 active high digital inputs (+24 trigger)
- H-BUS compatible



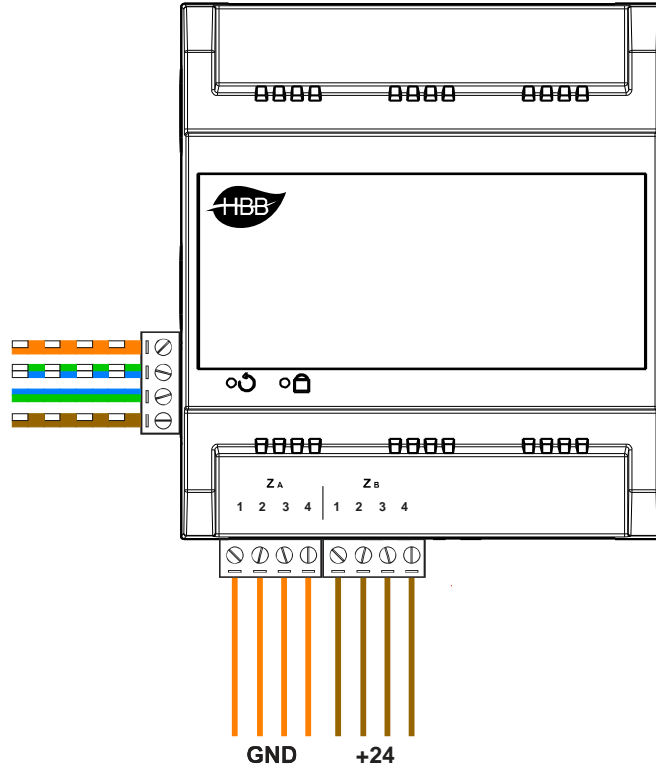
Specifications

- Operating voltage: 10 ~ 24.5 V DC
- Maximum operating current: 200 mA
- Normal operating current: 40 mA
- 4 active low digital inputs (GND trigger)
- 4 active high digital inputs (+24 trigger)
- Communication: H-BUS
- Installation: 35 mm DIN-Rail Mount Ready, wall mount ready (8P)
- Weight: 77 g
- Size: W 90 x L 81 x H 76.7 (mm)

Dimensions (mm)



Electrical diagram



Communication

- H.BUS GND orange
- H.BUS GND w/orange
- H.BUS D+ blue
- H.BUS D- w/blue
- H.BUS D+ green
- H.BUS D- w/green
- H.BUS +24V brown
- H.BUS +24V w/brown

