

Description

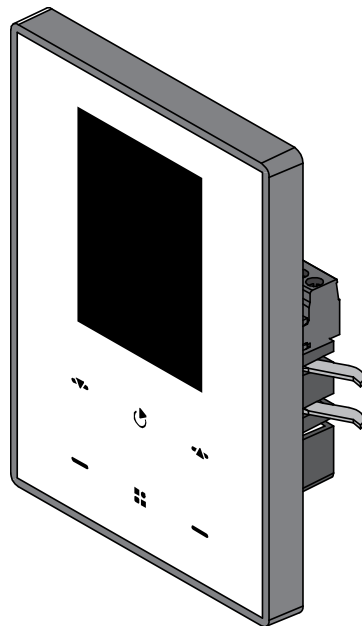
HBB Touch Panels with multi-function usages are so attractive and practical part of your smart home. PRIME MULTI panels are able to control 5 lighting/scenario/curtain button, a thermostat zone and an audio zone.

2.8" display helps to control all the zone perfectly and also let you change the base instruction of this device. User friendly user interface let you experience an awesome feeling of control on your home.

Longer design, Aluminum frame and RGB touch button are the other visual attractions of this new device.

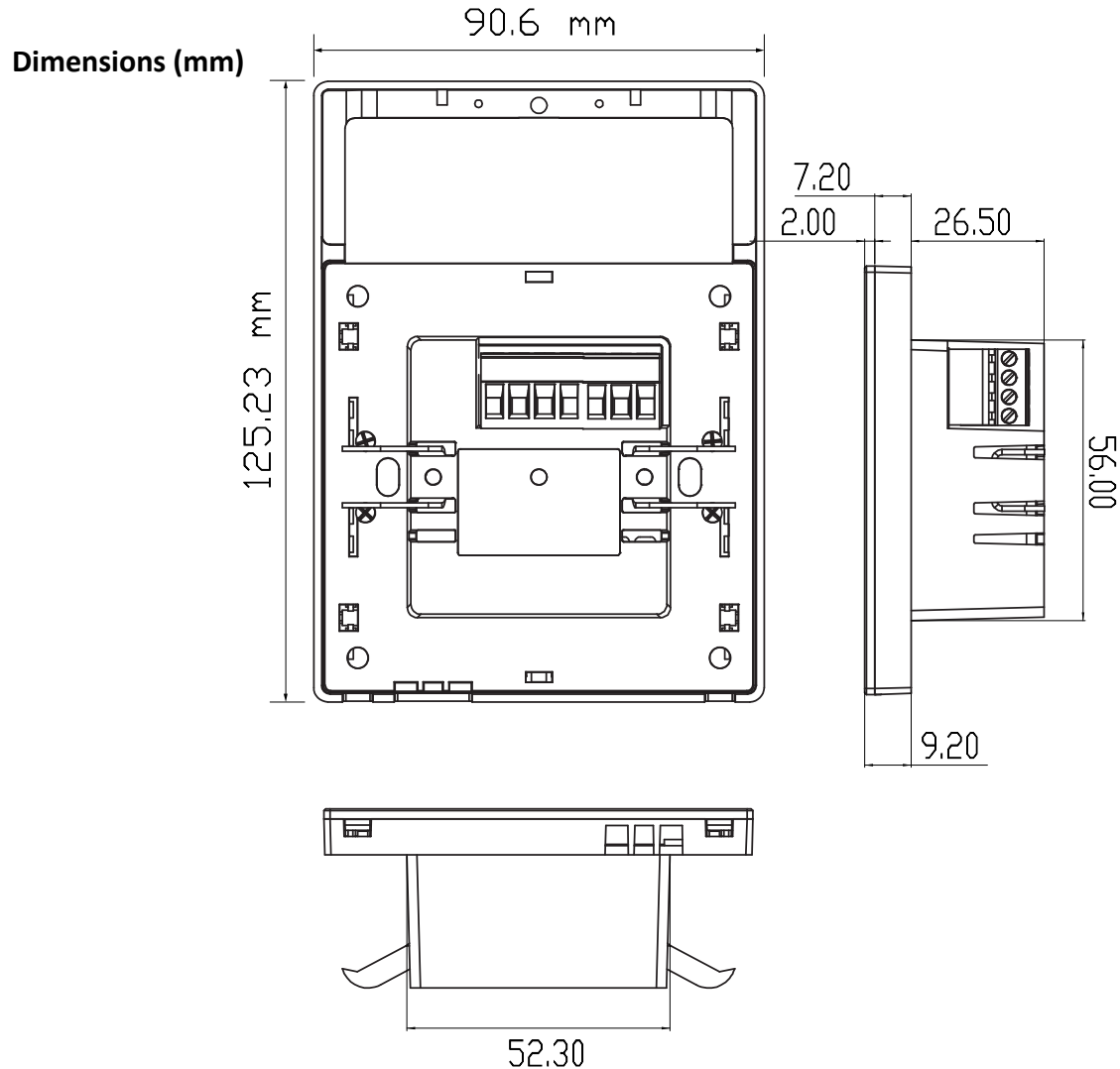
Features

- Capacitive touch buttons (GEN3.0)
- 2.8" RGB LCD display
- Config menu
- 3 in 1 (Lighting and Scenario, Thermostat, Audio)
- RGB LED indicators
- H-BUS compatible
- 3 Methods of standard wall mount installation
- DIY Button defining
- Aluminum frame

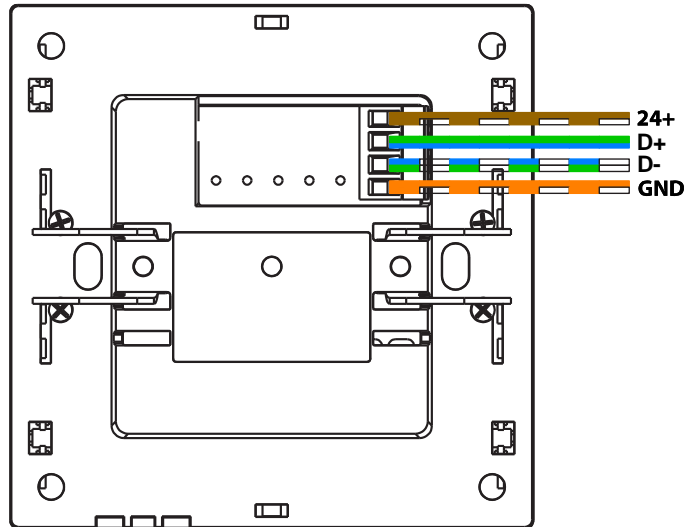


Specifications

- Operating voltage: 18 ~ 24.5 V DC
- Maximum operating current: 100 mA
- Normal operating current: 50 mA
- Button type: Capacitive touch buttons (GEN3.0)
- Indicators: RGB LEDs
- Communication: H-BUS
- Installation: Wall mount and wall clamps
- Weight: 50 g
- Size: W 90.6 x L 125.3 x H 14.6(40.7) (mm)
- Sensor: Internal NTC accurate temperature sensor



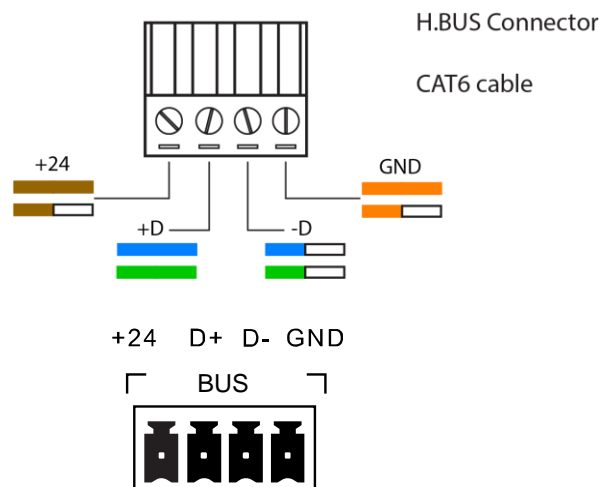
Electrical diagram



*****Caution: Data lines (D+ and D-) may differs in different models. Pay attention to the guide label behind the BUS Coupler.**

Communication

H.BUS GND		orange
H.BUS GND		w/orange
H.BUS D+		blue
H.BUS D-		w/blue
H.BUS D+		green
H.BUS D-		w/green
H.BUS +24V		brown
H.BUS +24V		w/brown



Physical Installation

